

FS-720/FS-820/FS-920 ▶print ▶copy ▶scan ▶fax

EMPOWER YOUR DESKTOP

with high-performance, low-noise printers



Ecosys[®]

 **KYOCERA**

FS-720 / FS-820 / FS-920

THE PROFESSIONAL CHOICE FOR YOUR INDIVIDUAL NEEDS

INCREASED EFFICIENCY, REDUCED NOISE LEVELS

Do you want to optimise your office environment with a powerful low-noise printer, but you don't know which printer is the right choice for you? Kyocera's high-performance, reliable and cost-effective printers and multifunctional devices have been helping companies meet the challenges of modern business for decades.

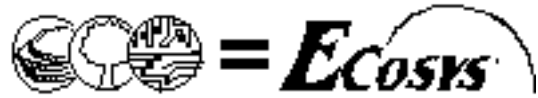
Our unique ECOSYS technology not only benefits the environment with increased efficiency and reduced noise, but also delivers high-quality, effective performance whilst economising on long-term running costs.

Building on its successful heritage, Kyocera has developed an innovative new range of robust, compact and affordable desktop printers that now allows you to tailor this professional technology to your individual requirements.

Whatever your desktop printing needs, we can meet them with the user-friendly **FS-720, FS-820, FS-920**. Let Kyocera streamline your office workflow by choosing a quiet, compact desktop printer with efficiency and power.



COST-EFFECTIVE, ENVIRONMENTALLY-FRIENDLY INNOVATIONS WITH ECOSYS TECHNOLOGY



The driving force behind all of Kyocera's designs is a commitment to providing easy-to-use high-performance solutions that not only achieve a lasting efficiency for your office but benefit the environment, too. That's why we have developed the unique concept of ECOSYS, which stands for ECOlogy, ECONomy and SYStem.



ECONomy: Our desktop printers meet maximum professional demands at an affordable purchase price. Moreover, the exceptionally low running costs for such high print quality guarantee lasting economy, without compromising standards. Our desktop printers **FS-820, FS-920** are equipped with powerful, reliable controller technology and a large memory, which can be extended to cater for your varying needs.

The FS-720, FS-820 and FS-920 offer a choice of toner boxes to suit your individual needs. High printing volumes are facilitated by the **TK-110 with its 6,000-sheet capacity**, allowing greater convenience and lower costs for a large-scale output. For an office with a more moderate printing output, the **TK-110E with a 2,000-sheet capacity** is available.



ECOlogy: Kyocera's commitment to protecting the environment to your advantage is fulfilled by this unique series of desktop devices.

Kyocera's high-speed, powerful printers have low noise levels, ensuring a pleasant office atmosphere. This is supported by the compact, robust and stable design with integrated 250-sheet paper cassette.

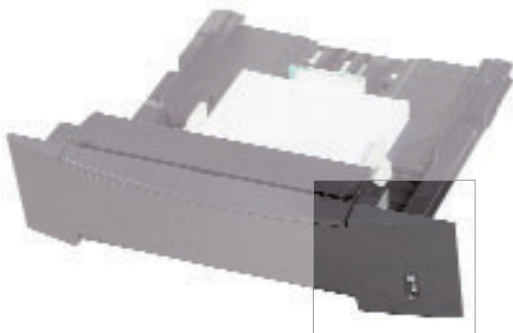
In addition to low emissions, the innovative ECOSYS technology achieves a significant reduction in waste with its cartridge-free design and high-capacity toner box. The drum, developer and fuser systems are designed to last for 100,000 sheets - much more than conventional systems. Since the toner is the only consumable that needs to be replaced, your office not only benefits from long-term cost-effectiveness, but also helps the environment.



SYStem: With a powerful printer driver, printer controller and printing monitoring software, our desktop printers are able to cope with all the demands of the modern office environments.

Depending on what your requirements are for printer-controller technology and paper-handling capabilities, Kyocera offers the following desktop printers: **FS-720, FS-820, FS-920.**

Thanks to their integrated 250-sheet high-capacity paper cassettes, they not only keep paper pristine, but also save the user from having to refill paper frequently. This enables a smoother and quicker workflow. The design of the paper cassettes (with a paper gauge) makes our printers very robust and compact, meaning you save space. This is further enhanced by high-speed performance, with a print speed of 16 to 18ppm and a minimal warm-up time.



The **FS-720, FS-820** and **FS-920** paper gauge, which shows the remaining sheets in the cassettes, and a buzzer informing the user of missing paper or toner, make the printers very convenient to use.



FS-720: DESIGNED FOR WINDOWS USERS

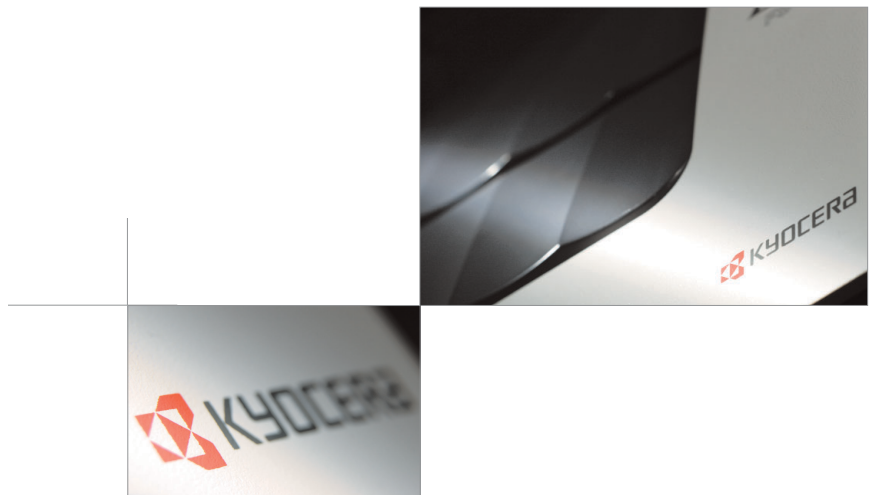
The FS-720, **with 16ppm and easy connection via USB interface**, is equipped with the Host Based Printing System. The FS-720 takes advantage of the excellent performance of your PC by utilising its power to rasterise the documents. By providing efficient use of the latest PC technology, this system can boost the printing speed of elaborate documents.

FS-820: INTEGRATED POWERFUL PRINT CONTROLLER FOR HIGH COMPATIBILITY – INDEPENDENT OF PC PERFORMANCE

The FS-820, **with 16ppm**, has powerful and flexible print controller technology that delivers quality output independent of PC performance. **The FS-820 comes with PCL 6, which guarantees high compatibility with office applications** and long-term use in many system platforms. As Kyocera's entry product for the common software platform, it is also equipped with PRESCRIBE, a CompactFlash® card slot for electronic forms and barcode printing. Moreover, it has **USB and parallel interfaces** offering high flexibility and the possibility of sharing the printer, thereby achieving greater efficiency by saving office space.

FS-920: INTEGRATED POWERFUL PRINT CONTROLLER FOR EVEN HIGHER COMPATIBILITY – WITH MORE FLEXIBILITY

In addition to Kyocera's own controller language PRESCRIBE, **the FS-920 with 18ppm** comes with **PCL 6 and PostScript 3** to enable **best performance in MS Windows as well as in Apple or Linux environments**. This optimises the output of diverse documents with graphical elements. The strong CPU of 266 MHz enables efficient, speedy processing of printing data to save time on even the most complex documents.



MORE CHOICE, GREATER FLEXIBILITY

This new range of individual printers gives you greater flexibility, because you don't have to pay for functions you don't need. By selecting a desktop printer that suits your unique office output requirements, you are making a more efficient choice.

So, what type of printer user are you? Find the professional desktop printer from KYOCERA which meets your specific needs.

FEATURE	FEATURE SPECIFICATIONS	
	FS-720	FS-820
Print speed	16ppm in A4	16ppm in A4
Print quality	600 dpi	1,200 dpi quality
Paper capacity/handling	250-sheet capacity + 1-sheet Manual Feed	250-sheet capacity + 1-sheet Manual Feed
Low noise printing Power-Saving (ECOpower)	49dB(A) Immeasurably low	49dB(A) Immeasurably low
Low emissions	✓	✓
Controller technology	Host Based Printing System for MS Windows	PCL 6, PRESCRIBE
CPU	32 Bit RISC	192MHz
Interfaces	USB	USB, parallel
Optional network connectivity	-	External
Optional memory	-	CF-Card, printer memory



FS-720



FS-820



FS-920

	BENEFIT FOR YOU
FS-920	
18ppm in A4	Speeds up workflow and productivity
1,200 dpi quality	Delivers high-performance output
250-sheet capacity + 1-sheet Manual Feed	Saves time and facilitates high-volume output
49dB(A) Immeasurably low	Pleasant working atmosphere
✓	Allows you to work in a cleaner environment
PCL 6, PostScript 3, PRESCRIBE	Gives you the compatibility you need for your office environment
266MHz	Achieves greater efficiency in terms of quick processing of printing data
USB, parallel	Facilitates sharing and flexibility
External	Facilitates sharing and flexibility
CF-Card, printer memory	Allows you to master complex print jobs

FS-720 / FS-820 / FS-920

Monochrome A4 desktop printers

ECOSYS technology is based on extremely durable components. The drum, developer and fuser are designed for 100,000 pages. As toner is the only consumable required, ECOLaser printers operate with the lowest cost per page in their class, and they are particularly environmentally friendly.

GENERAL

Technology: Kyocera ECOSYS, Laser
Engine speed: FS-720/FS820: Up to 16ppm A4
FS-920: Up to 18ppm A4
Resolution: FS-720: 600 dpi
FS-820/FS-920: 1,200 dpi quality (1,800 x 600)
Time to first page: 11 seconds
Warm-up time: 16 seconds from power off
Monthly Duty Cycle: FS-720/FS-820: Max. 12,000, average up to 1,500 pages per month
FS-920: Max. 15,000, average up to 2,000 pages per month
Power Source: AC 220/240 V 50/60 Hz
Power Consumption:
FS-720: Printing: 302 W, Stand-by: 5 W, Power-Saving (ECOpower): 4.2 W
FS-820: Printing: 319 W, Stand-by: 7 W, Power-Saving (ECOpower): 4.5 W
FS-920: Printing: 315 W, Stand-by: 8 W, Power-Saving (ECOpower): 4.8 W
Noise (ISO 7779): Printing: 49 dB(A), Stand-by: 28 dB(A), Power-Saving (ECOpower): Immeasurably low
Dimensions (W x D x H): Main Unit: 380 x 390 x 245 mm
Weight: Approx. 9.5 kg (incl. toner)
Certification: TÜV/GS, CE, PTS
This product is manufactured according to the ISO 9001 quality standard and ISO 14001 environmental standard.

PAPER HANDLING

All paper capacities quoted are based on a paper thickness of max. 0.11 mm. Please use paper recommended by Kyocera under normal environmental conditions.

Input capacity: Universal paper cassette: 250 sheets, 60–105 g/m², A4, B5, A5, Letter, Legal, Custom (148 x 210 mm to 216 x 356 mm)
Manual-feed tray: 1 sheet, 60–163 g/m², A4, B5, A5, Letter, Legal, Custom (70 x 148 mm to 216 x 356 mm)
Output capacity: 100 sheets face down

CONTROLLER

Processor: FS-720: 32 Bit RISC CPU
FS-820: Power PC 405/192 MHz
FS-920: Power PC 405/266 MHz
Memory: FS-720: Standard 8 MB, Max. 8 MB
FS-820: Standard 16MB + ECOMemory, Max. 272MB in 1 slot
FS-920: Standard 32MB + ECOMemory, Max. 288MB in 1 slot
Emulations: FS-720: Host Based Printing System for MS Windows 98 SE/ME/2000/XP
FS-820: PCL 6/PCL 5e
FS-920: PCL 6/PCL 5e, KPDL 3 (PostScript 3 compatible) with Automatic Emulation Sensing (AES), Line Printer, IBM Proprinter X24E, Epson LQ-850, Diablo 630
Controller language:
FS-820/FS-920: PRESCRIBE IIe
Fonts: FS-820: 14 outline fonts, 1 bitmap font, 45 types of one-dimensional barcodes, plus two-dimensional barcode PDF-417
FS-920: 80 outline fonts accessible in all emulations, 1 bitmap font, 45 types of one-dimensional barcodes, plus two-dimensional barcode PDF-417
Downloadable fonts: FS-820/FS-920: Kyocera Mita, PCL + TrueType format, Type 1 + 3 format
Print features: Manual duplex supported from printer driver

INTERFACE

Standard interface: FS-720: USB 2.0 (Full speed)
FS-820/FS-920: High speed bi-directional parallel (IEEE 1284), USB 2.0 (Full Speed)
Multiple Interface Connection (MIC):
FS-820/FS-920: Allows simultaneous data transfer on both, with each having its own virtual printer.

OPTIONS

Memory
Printer memory:
FS-820/FS-920: 1 slot (16, 32, 64, 128 or 256 MB)
CompactFlash® card:
FS-820/FS-920: 1 slot (for up to 256 MB) forms, fonts, logos, macro storage

External network interface:
FS-820/FS-920: IB-100 Ethernet print server: 10Base-T/100Base-TX

CONSUMABLES

TK-110 Toner-Kit:
FS-720/FS-820/FS-920: Microfine toner for 6,000 pages (ISO/IEC 19752)
TK-110E Toner-Kit:
FS-720/FS-820/FS-920: Microfine toner for 2,000 pages (ISO/IEC 19752)

Capacity of starter toner is 3,000 pages (ISO/IEC 19752)

WARRANTY

1-year return to base warranty as standard. Kyocera guarantees the drum and developer for 3 years or 100,000 pages (whichever occurs sooner), provided each printer is used and cleaned in accordance with the service instructions.



KYOlife 3-year exchange on-site warranty for extension for printer and options.

Your Kyocera Business Partner:

Kyocera Mita (UK) Ltd, 8 Beacontree Plaza, Gillette Way, READING RG2 0BS
Tel 0118 931 1500 Fax 0118 931 1108, email: info@kyoceramita.co.uk www.kyoceramita.co.uk

Kyocera Mita does not warrant that any specifications mentioned will be error-free. Specifications are subject to change without notice. Information is correct at time of going to press. All other brand and product names may be registered trademarks or trademarks of their respective holders and are hereby acknowledged.

